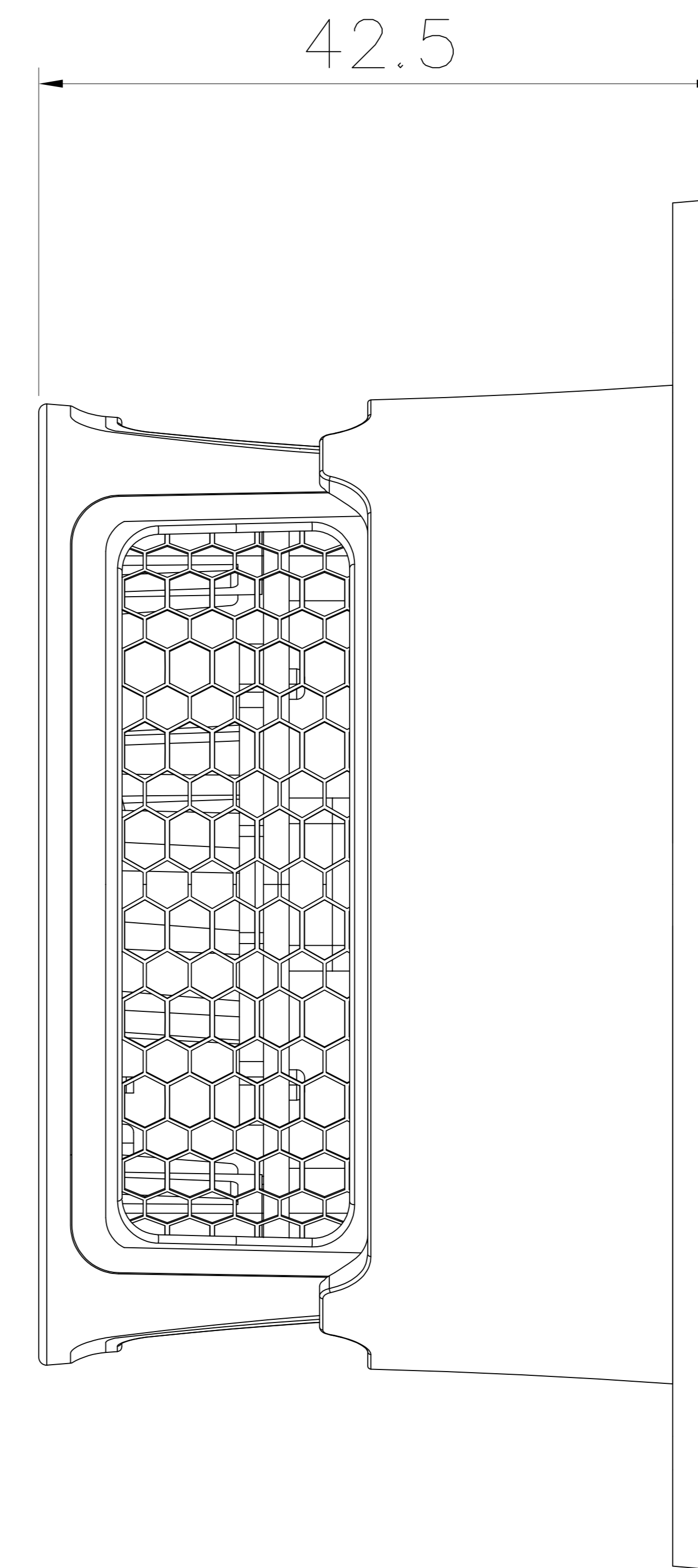
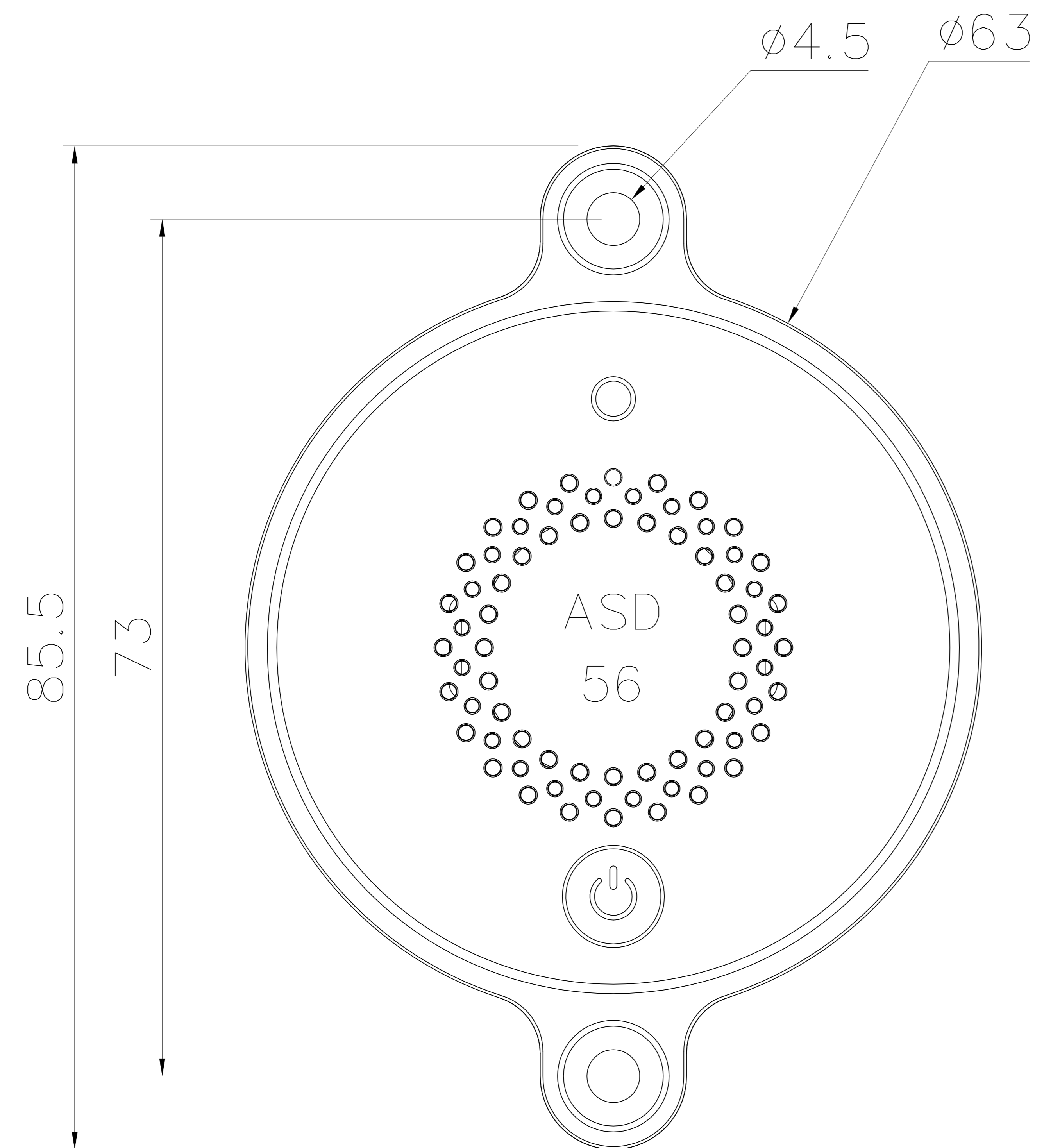


No.	Date	Revision	Draw	Check
1	--	---	-	-



1	ASD-56 Ass'y					--	-	-
No.	Part name					Material	Quantity	Remarks
General Tolerance					Model name	ASD-56 Ass'y		
--	J	K	L	M	N	Draw	Check	Approve
- 4	0.1	0.1	0.1	0.2	0.2	Drawing number		
4 - 16	0.1	0.1	0.2	0.3	0.4	P.J.W		
16 - 63	0.1	0.2	0.2	0.4	0.6	Unit.	Scale	Rev.
63 - 110	0.1	0.2	0.3	0.5	0.8	mm	1 : 1	0
110 - 250	0.2	0.3	0.4	0.6	1.0	Date.	Size.	
250 - 1000	0.3	0.4	0.5	0.8	1.2	2023.05.22	A4	

