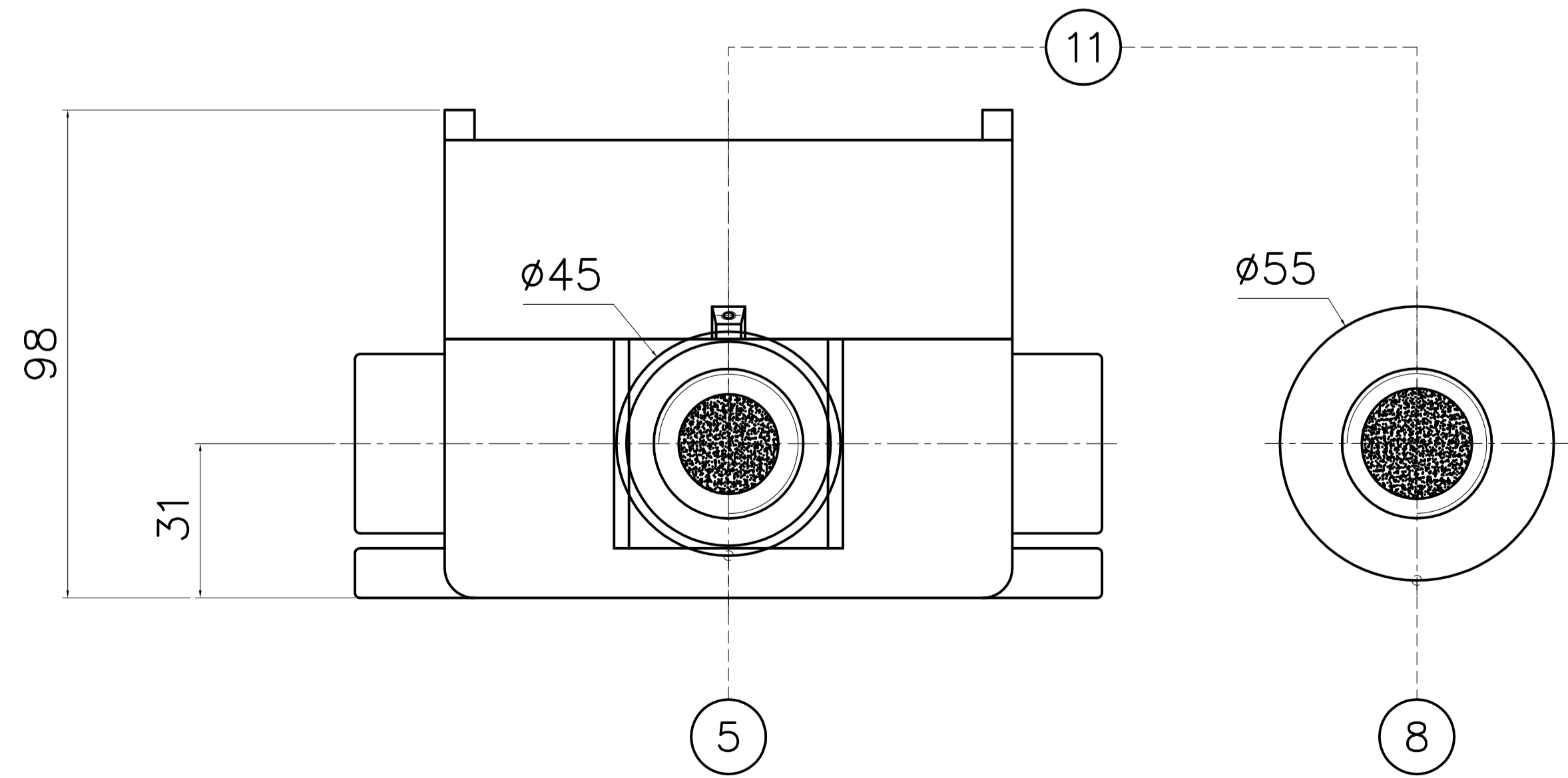
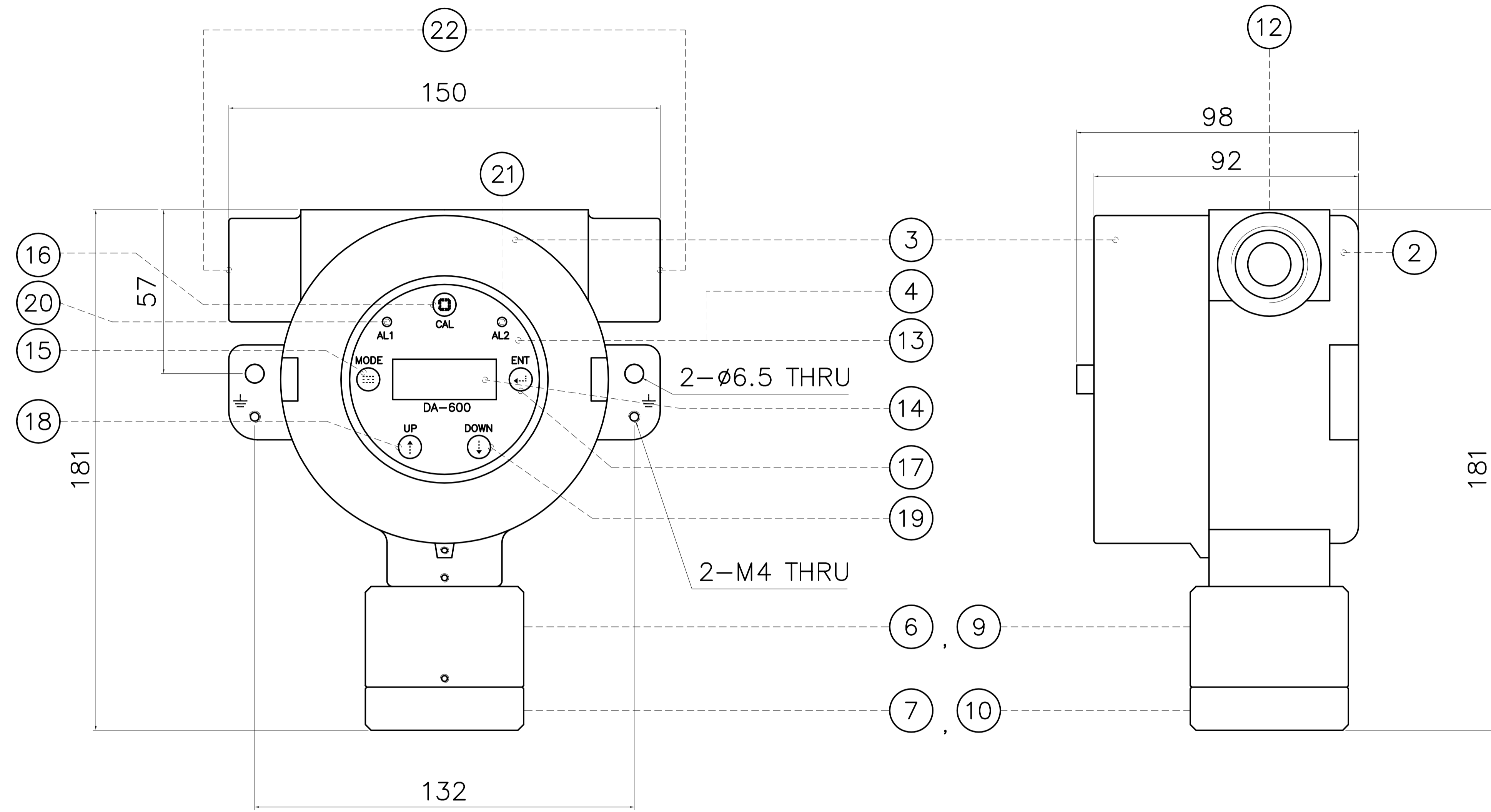


1

No.	Date	Revision	Draw	Check
1	--	---	-	-



Note.

- Threads standards & tolerance
 - Metric : 6g/6H ISO 965-1, ISO 965-3, coarse pitch ISO 262
 - N P T : ANSI/ASME B1.20.1
- Signal Cable : CVVS & CVVSB 1.5sq * 3Wire - Shield Type
- Sensor : DC 5.5V(Max), 120mA(Max)
- Gross Volume / Internal Nut :
 - DA-600-1 : 450.7 cm³ / 231.3 cm³
 - DA-600-2 : 456 cm³ / 228.1 cm³

22	CABLE GLAND(NPT 3/4")		--	--	--
21	AL 2 LED		--	--	--
20	AL 1 LED		--	--	--
19	DOWN BUTTON		--	--	--
18	UP BUTTON		--	--	--
17	ENT BUTTON		--	--	--
16	CAL BUTTON		--	--	--
15	MODE BUTTON		--	--	--
14	LCD SCREEN		--	--	--
13	LCD STICKER	FILM 0.3t	1	--	--
12	NAME PLATE	PVC/SUS	1	--	--
11	FILTER	SS 316 L	1	--	--
10	SENSOR HOUSING BOTTOM 2	SUS303	--	--	--
9	SENSOR HOUSING TOP 2	SUS303	--	--	--
8	SENSOR HOUSING 2	--	--	--	--
7	SENSOR HOUSING BOTTOM 1	SUS303	1	--	--
6	SENSOR HOUSING TOP 1	SUS303	1	--	--
5	SENSOR HOUSING 1	--	--	--	--
4	GLASS	GLASS	1	--	--
3	AL CASE TOP	AL(AC4C)	1	--	--
2	AL CASE BOTTOM	AL(AC4C)	1	--	--
1	ASS'Y	--	--	--	--

No.	Part name	Material	Quantity	Remarks
General Tolerance				
--	J K L M N	Model name DA-600		
- 4	0.1 0.1 0.1 0.2 0.2	Draw	Check	Approve Drawing number
4 - 16	0.1 0.1 0.2 0.3 0.4	P.J.W		
16 - 63	0.1 0.2 0.2 0.4 0.6	Unit.	Scale	Rev.
63 - 110	0.1 0.2 0.3 0.5 0.8	mm	1 : 1	0
110 - 250	0.2 0.3 0.4 0.6 1.0	Date.	Size.	
250 - 1000	0.3 0.4 0.5 0.8 1.2	2023.00.00	A1	

