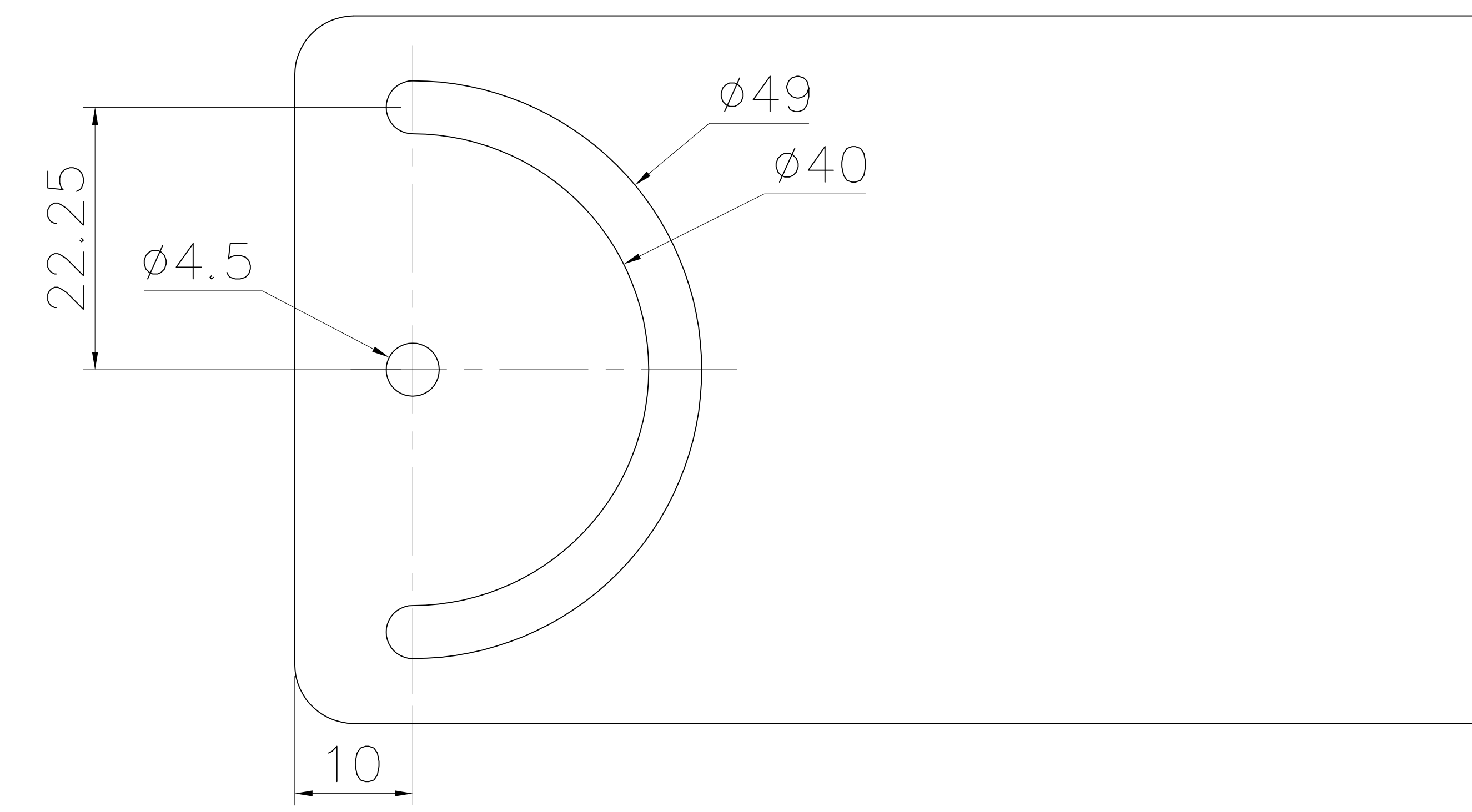
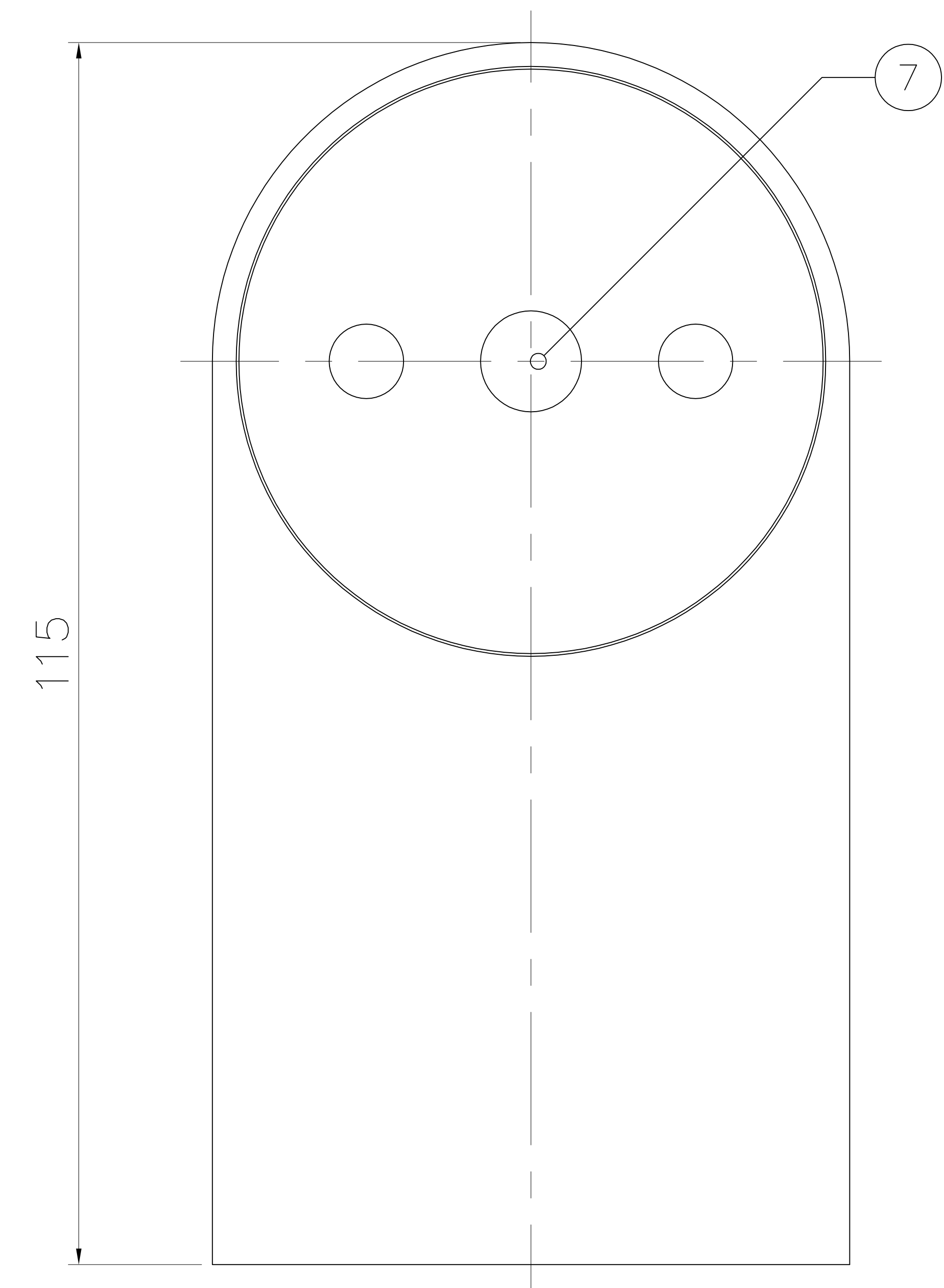
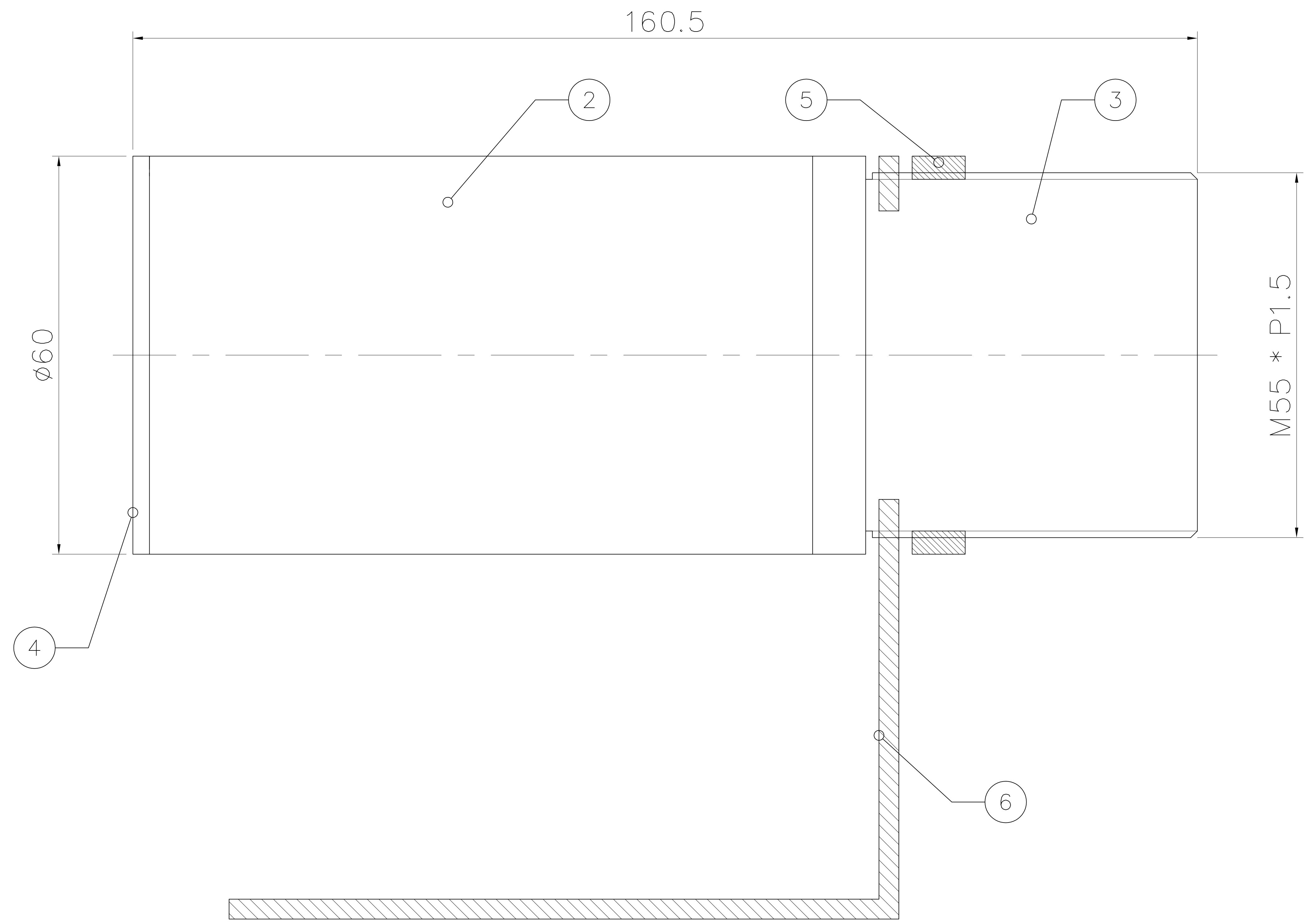
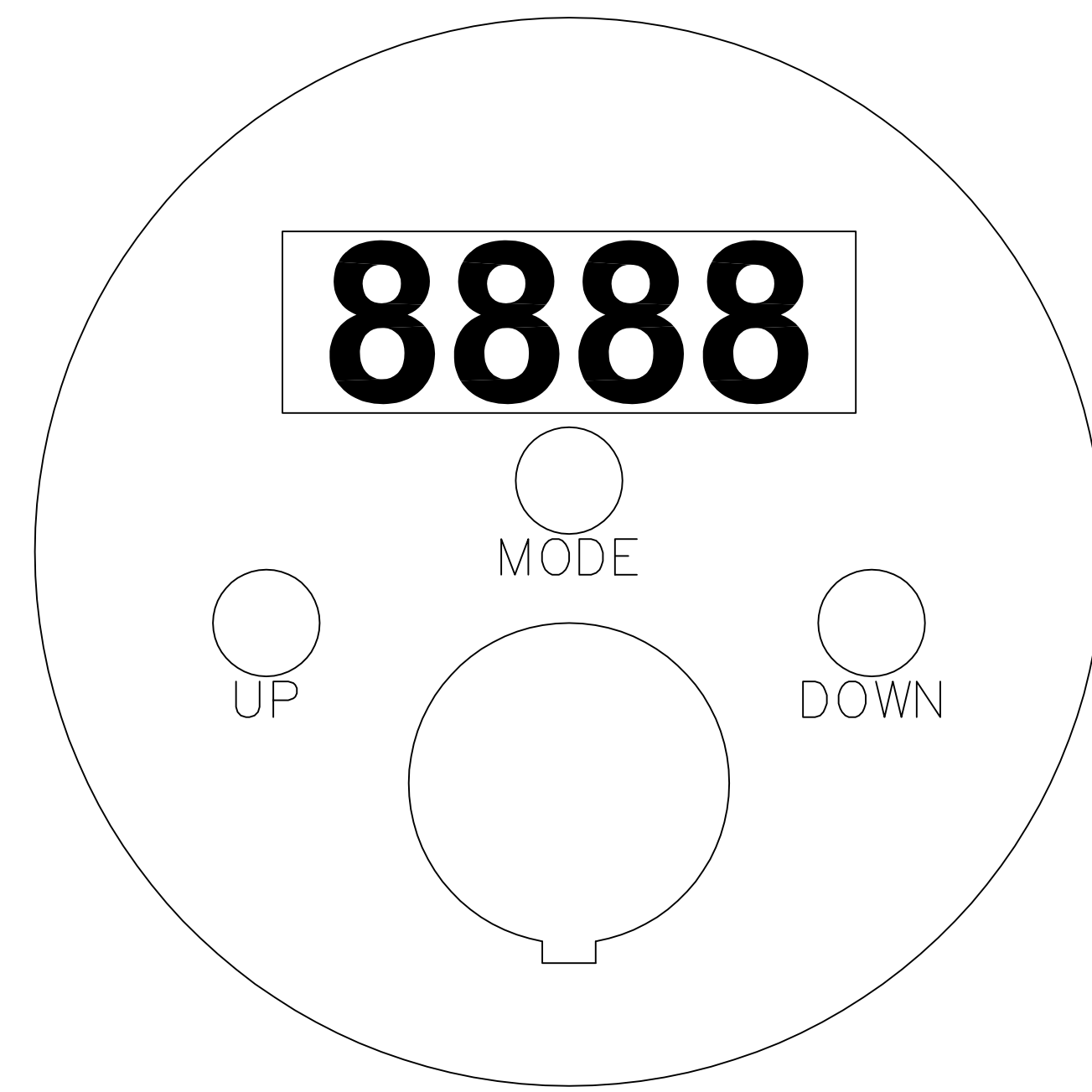
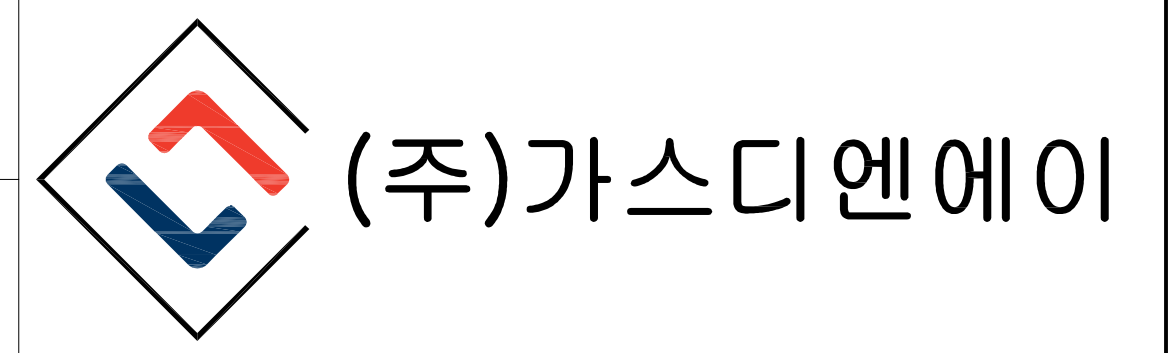


No.	Date	Revision	Draw	Check
1	--	---	-	-



7	IR-100-LENS	--	1	-
6	IR-100-BRACKET	SUS304	1	-
5	IR-100-NUT	SUS303	1	-
4	IR-100-COVER	SUS303	1	-
3	IR-100-BODY	SUS303	1	-
2	IR-100-CASE	SUS303	1	-
1	Ass'y	--	1	-
No.	Part name	Material	Quantity	Remarks

General Tolerance					Model name		IR-100		
--	J	K	L	M	N	Draw	Check	Approve	Drawing number
- 4	0.1	0.1	0.1	0.2	0.2	P.J.W			
4 - 16	0.1	0.1	0.2	0.3	0.4	Unit.	Scale	Rev.	---
16 - 63	0.1	0.2	0.2	0.4	0.6	mm	1:1	0	
63 - 110	0.1	0.2	0.3	0.5	0.8	Date.	Size.		
110 - 250	0.2	0.3	0.4	0.6	1.0	2023.00.00	A3		
250 - 1000	0.3	0.4	0.5	0.8	1.2				