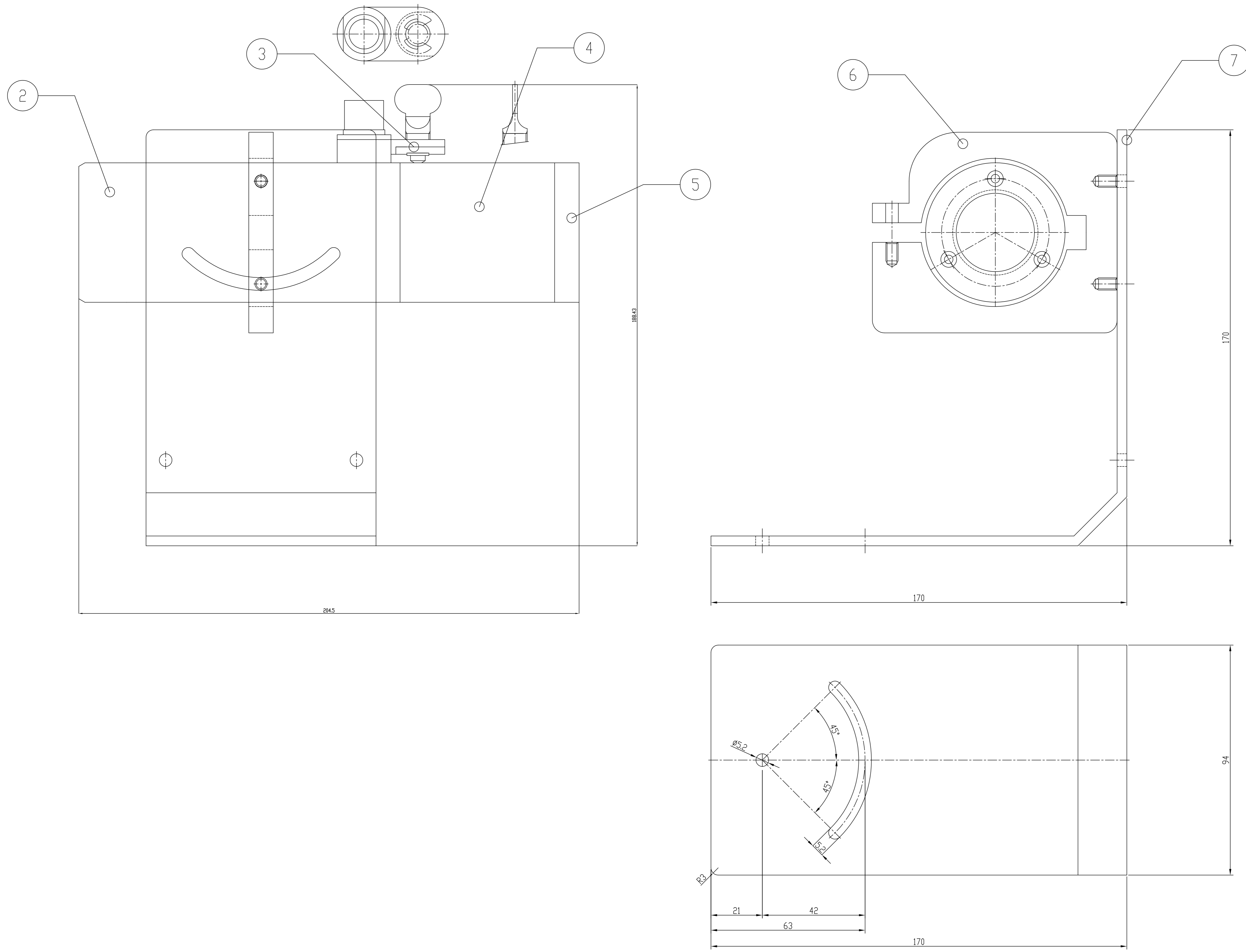


No.	Date	Revision	Draw	Check
1	--	---	-	-



7	IR-VIEW-MAIN BRACKET	AL5052	1	--
6	IR-VIEW-ANGLE BRACKET	AL5052	1	--
5	IR-VIEW-CONTROL PANNEL	STS304	1	--
4	IR-VIEW-TUBE_B	STS304	1	--
3	IR-VIEW-SOCKET	STS304	1	--
2	IR-VIEW-TUBE_A	STS304	1	--
1	Ass'y	--	--	--
No.	Part name	Material	Quantity	Remarks
General Tolerance		Model name		IR-VIEW
--	J K L M N	Draw	Check	
- 4	0.1 0.1 0.1 0.2 0.2	P.J.W		Drawing number
4 - 16	0.1 0.1 0.2 0.3 0.4	Unit.	Scale	Rev.
16 - 63	0.1 0.2 0.2 0.4 0.6	mm	1 : 1	0
63 - 110	0.1 0.2 0.3 0.5 0.8	Date.		Size.
110 - 250	0.2 0.3 0.4 0.6 1.0	2023.00.00		A1
250 - 1000	0.3 0.4 0.5 0.8 1.2			

