

Smoke Detector

ASD-55



GASDNA CO.,LTD 101, Bukhang-ro, 193 Beon-gil, Seo-gu, Incheon, Republic of Korea, 22856

Tell: +82 10 4737 6412 Fax: 032)584-7424 E-mail: sales@gasdna.com Web: <http://www.ondo365.com>

www.gasdna.com

Product Outline

ASD-55 is a smoke sensor with AI algorithm..

Previous smoke sensors sometimes malfunction in dust and mist moisture..

However, ASD-55 is the world's first dual optical sensor to dramatically improve sensor performance.

Product Characteristics

- Low Concentrated Smoke Detection

Designed to assist the safety features of industrial automation equipment, it is suitable for a wide range of smoke detection.

- Digital Process

Various artificial intelligence are provided by processors to optimally configure detection and alarm functions and to maximize detection effects.

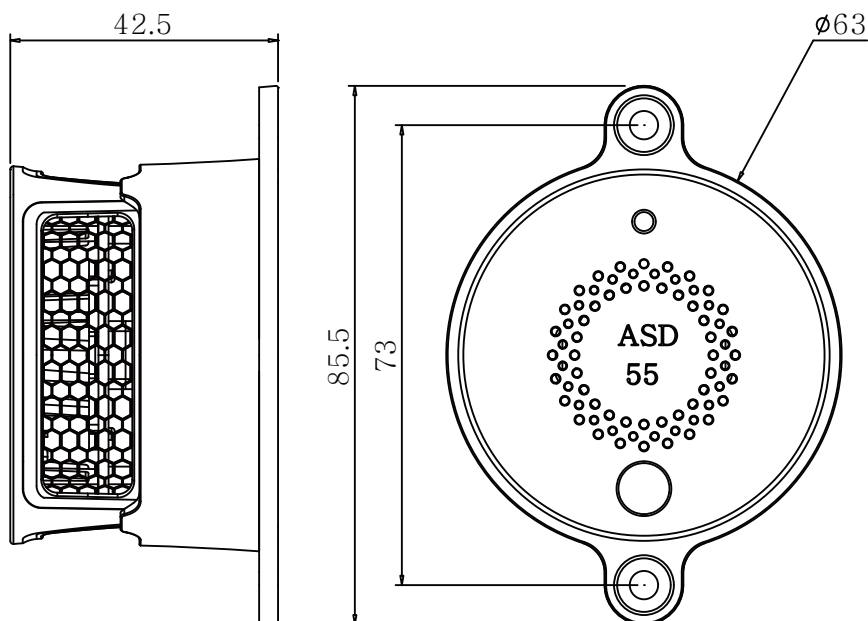
- Dual Optical Smoke Sensor

If the surrounding air contains a constant concentration of smoke, optical smoke sensors that utilize changes in the photoelectricity encountered by the smoke are very sensitive and can detect even low concentrations of smoke quickly. It also has built-in capabilities to avoid ambient noise and malfunction alarms.

Product Specification

구분	ASD-55
Detection Principle	Dual Optical Smoke Sensor
Detection Method	Non Verification Type
Response Time	within 3 sec
Output	Relay A(DC30V 1A), Relay B, RS485 MODBUS
Input	DC 22~26V
Currency Consumption	24V 60mA(MAX)
Housing	ABS
Operation temp. and moisture	-35~80°C, 0~95% RH (Non-Condensing)
Process	AI Algorithm

SENSOR UNIT



Wiring

NO	라벨	선 색깔	용도
1	P24	RED	POWER(+24V)
2	N24	BLACK	POWER(0V)
3	FG	GREEN	EARTH
4	TX+	WHITE	RS485 TX+
5	TX-	BLUE	RS485 TX-
6	NC	ORANGE	RELAY NC
7	COM	BROWN	RELAY COM
8	NO	YELLOW	RELAY NO

