

Smoke Detector

ASD-57



GASDNA Co.,Ltd 101, Bukhang-ro 193beon-gil, Seo-gu, Incheon, 22856, Republic of Korea
Tell: +82-32-584-7420 Fax: +82-32-584-7424 E-mail: sales@gasdna.com Web: www.gasdna.com

<http://www.gasdna.com>

Introduction

The ASD-57 is a combined thermal and smoke detector with dual optical smoke sensors and thermistor sensors.

Using AI algorithms, it detects the smoke concentration and temperature of the environment around the detector.

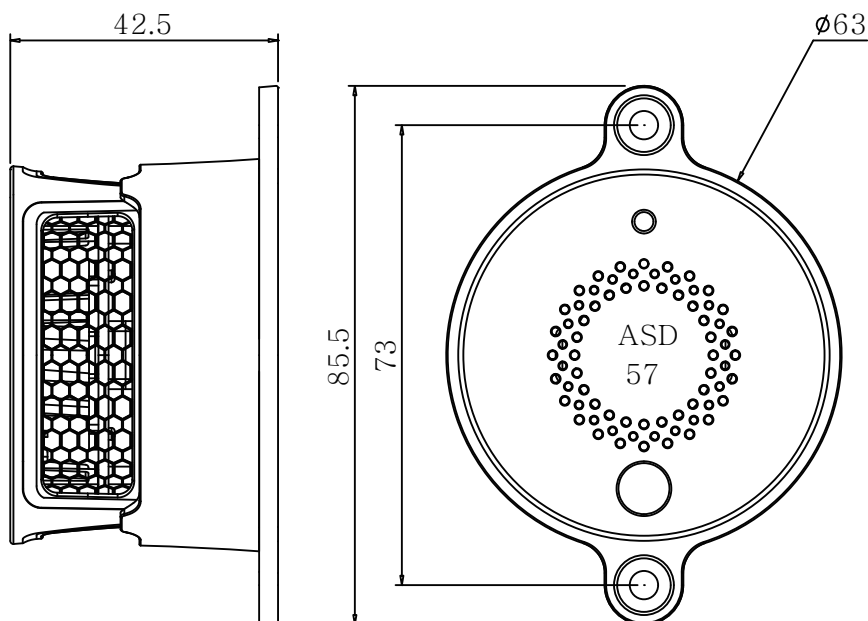
Characteristics

- **Low Concentrated Smoke Detection**
Designed to assist the safety functions of precise industrial automation equipment, it is suitable for detecting trace amounts of smoke.
- **Digital Process**
Various artificial intelligence is provided by the processor to optimally configure detection and alarm functions to maximize detection effects.
- **Dual Optical Smoke Sensor**
If the surrounding air contains a constant concentration of smoke, the optical smoke sensor, which uses changes in the amount of light electricity in contact with the photoelectric device by smoke, is very sensitive and can quickly detect even low concentrations of smoke. It also has built-in capabilities to avoid ambient noise and malfunction alarms.
- **Thermistor Sensor**
Thermistor sensor composed of sintered semiconductor material that shows a large change in resistance in proportion to a small change in temperature.

Specification

Item	ASD-57
Detection Principle	Dual Optical Smoke Sensor, Thermistor Sensor
Detect Method	Non Verification Type or thermistor temperature sensor(70℃ or Higher)
Response Time	Within 3 sec
Output	Relay A(DC30V 1A), Relay B, RS485 MODBUS
Input	DC 22~26V
Current Consumption	24V 60mA(MAX)
Housing	ABS
Operation Temp. & Moisture	-35~80℃, 0~95% RH (Non-Condensing)
Process	AI Algorithm
Reset Switch	Press reset switch and return to normalization

SENSOR UNIT



Wiring

NO	Label	Color	Purpose
1	P24	RED	POWER(+24V)
2	N24	BLACK	POWER(0V)
3	FG	GREEN	EARTH
4	TX+	WHITE	RS485 TX+
5	TX-	BLUE	RS485 TX-
6	NC	ORANGE	RELAY NC
7	COM	BROWN	RELAY COM
8	NO	YELLOW	RELAY NO

