

# LSM-30

## Level & Speed Meter Transmitter

### Local Display Type Speed Meter



GASDNA Co.,Ltd 101, Bukhang -ro 193 Beon -gil, Seo-gu, Incheon , Republic of Korea 22856  
Tel.: +82 32 584 7420 Fax: +82 32 584 7424 E-mail: sales@gasdna.com Web: <http://www.gasdna.com>

<http://www.gasdna.com>

## Introduction

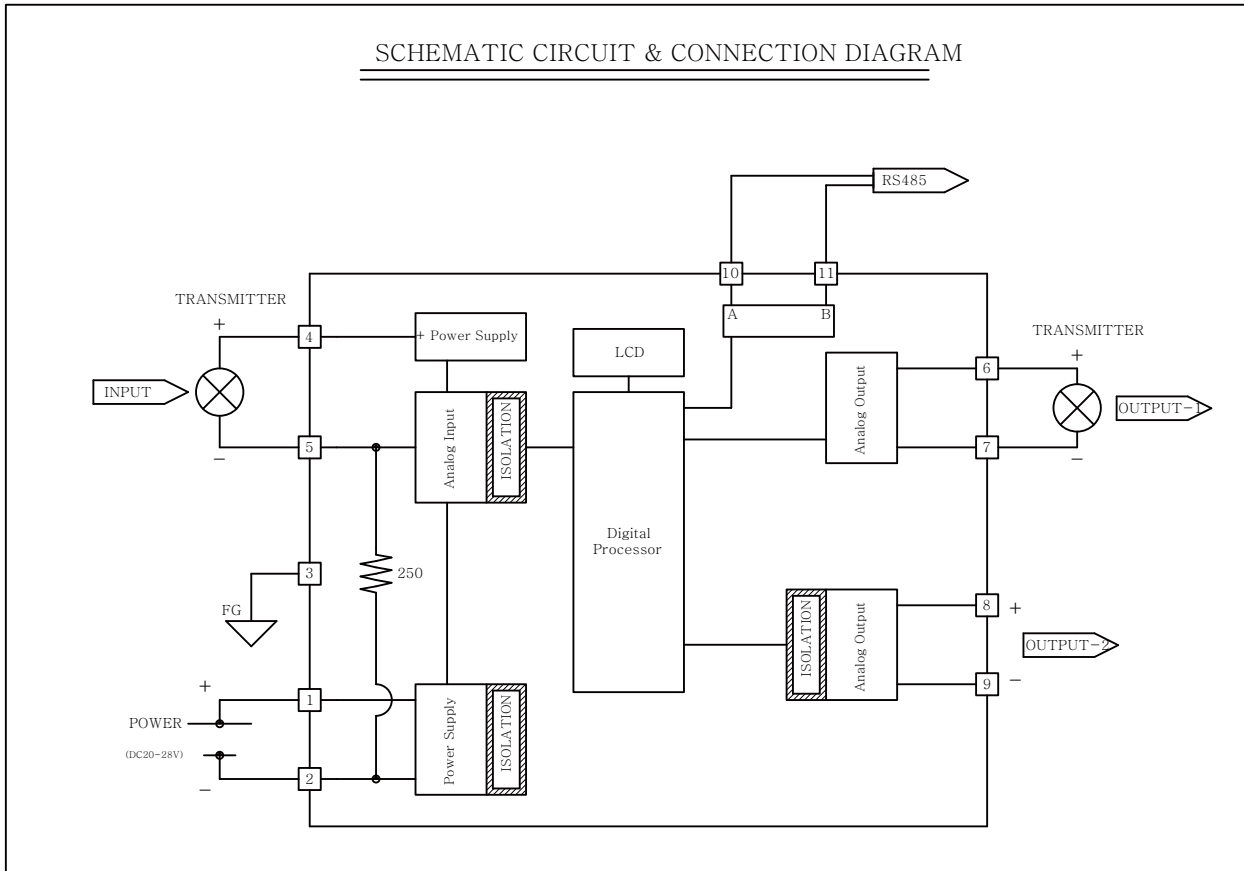
LSM-30 receives 4-20 mA analog input from the level measuring device, measures it, and sends out 4-20 mA analog output. The measured analog input signal calculates the travel distance per minute and sends out an analog output of 4-20 mA. Display the level height and speedometer simultaneously on the LCD display.

RS-485 communication is provided for monitoring from a long distance.

## Specification

	<b>LSM-30</b>
Power Supply	DC 20~30V
Isolation	Input(power)/Output-1/Output-2
Display	LCD(2 Line 8 Characters)
Analog Input	2-Wire Transmitter Input (Radar Transmitter Input) Input Impedance: 250Ω
Analog Output-1	2-Wire Transmitter Output (Radar Transmitter Output)
Analog Output-2	Speed Meter Transmitter Output (4-20mA OutPut)
Communication Output	RS-485
Operating Temp/Humidity	-20~50℃, 5~95% RH(Non-Condensing)
Mounting	Wall or Pipe Station
Case Material	Poly Carbonate
Dimensions	130(D) x 80(W) x 60(H)
Weight	300g

## Circuit Diagram



## Dimension

